



# PARTS DIAGRAM



## IMPORTANT FOR FUTURE REFERENCE

Please complete this information and retain this manual for the life of the equipment:

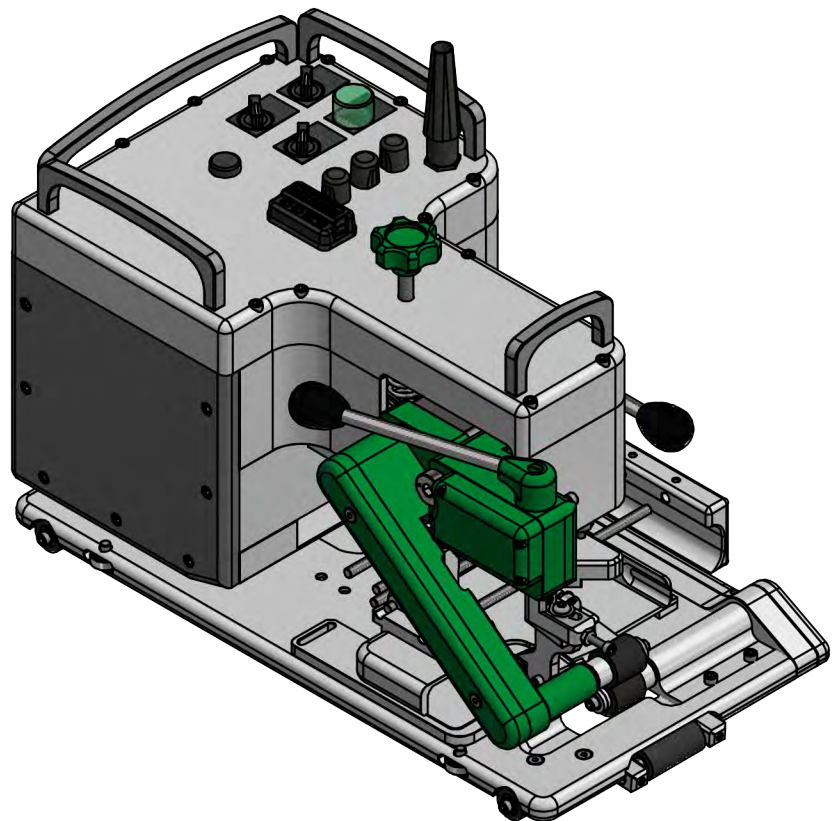
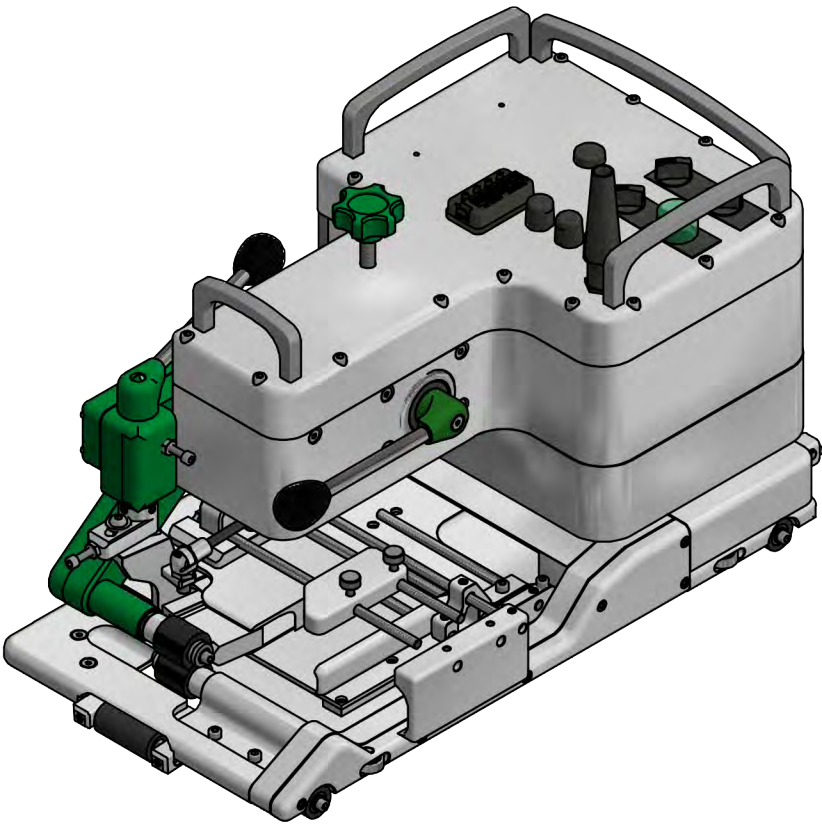
Model #: \_\_\_\_\_

Serial #: \_\_\_\_\_

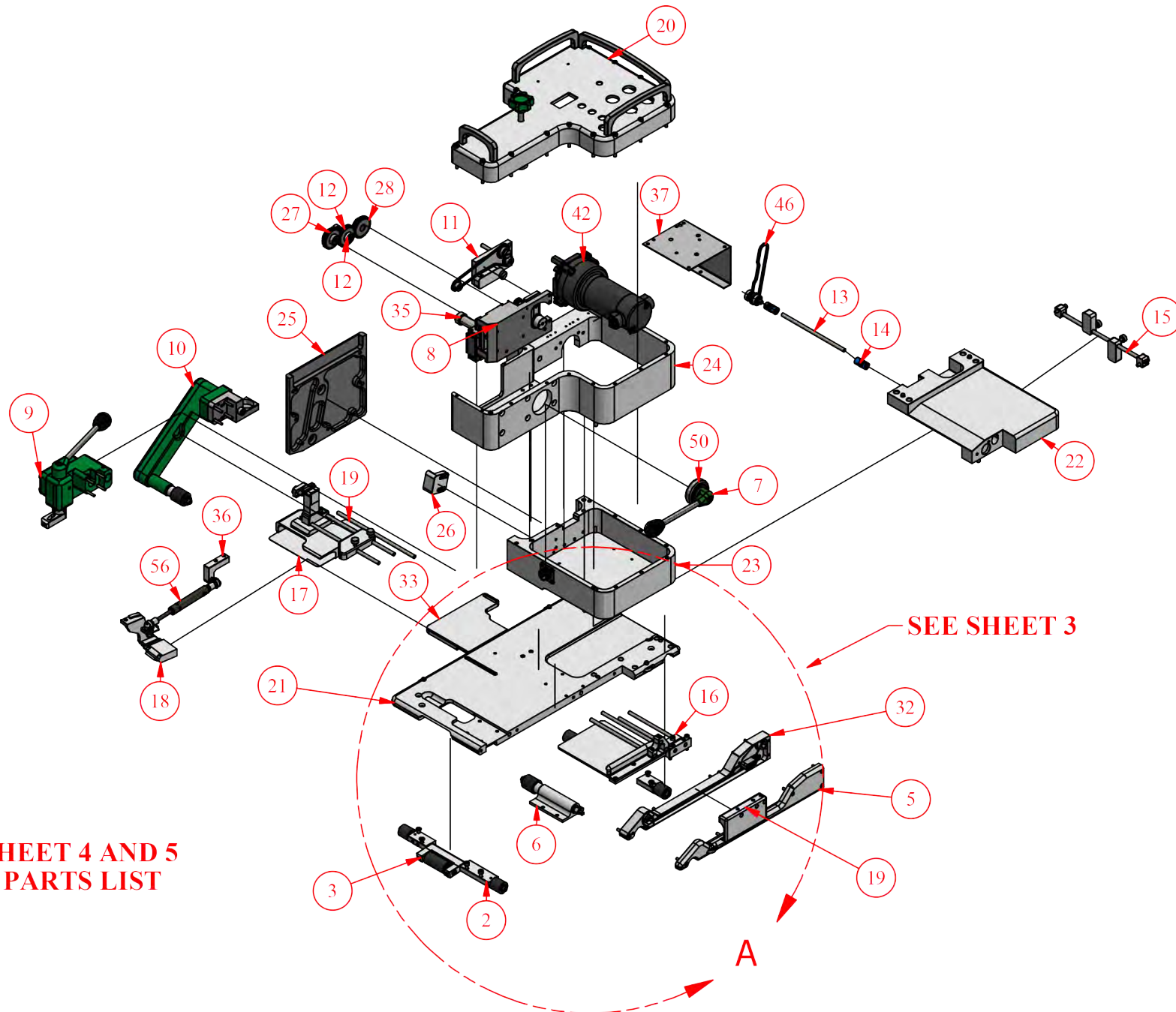
Date Purchased: \_\_\_\_\_



**MILLER WELDMASTER**  
**TRIAD EXTREME EXPLODED PARTS DIAGRAM**



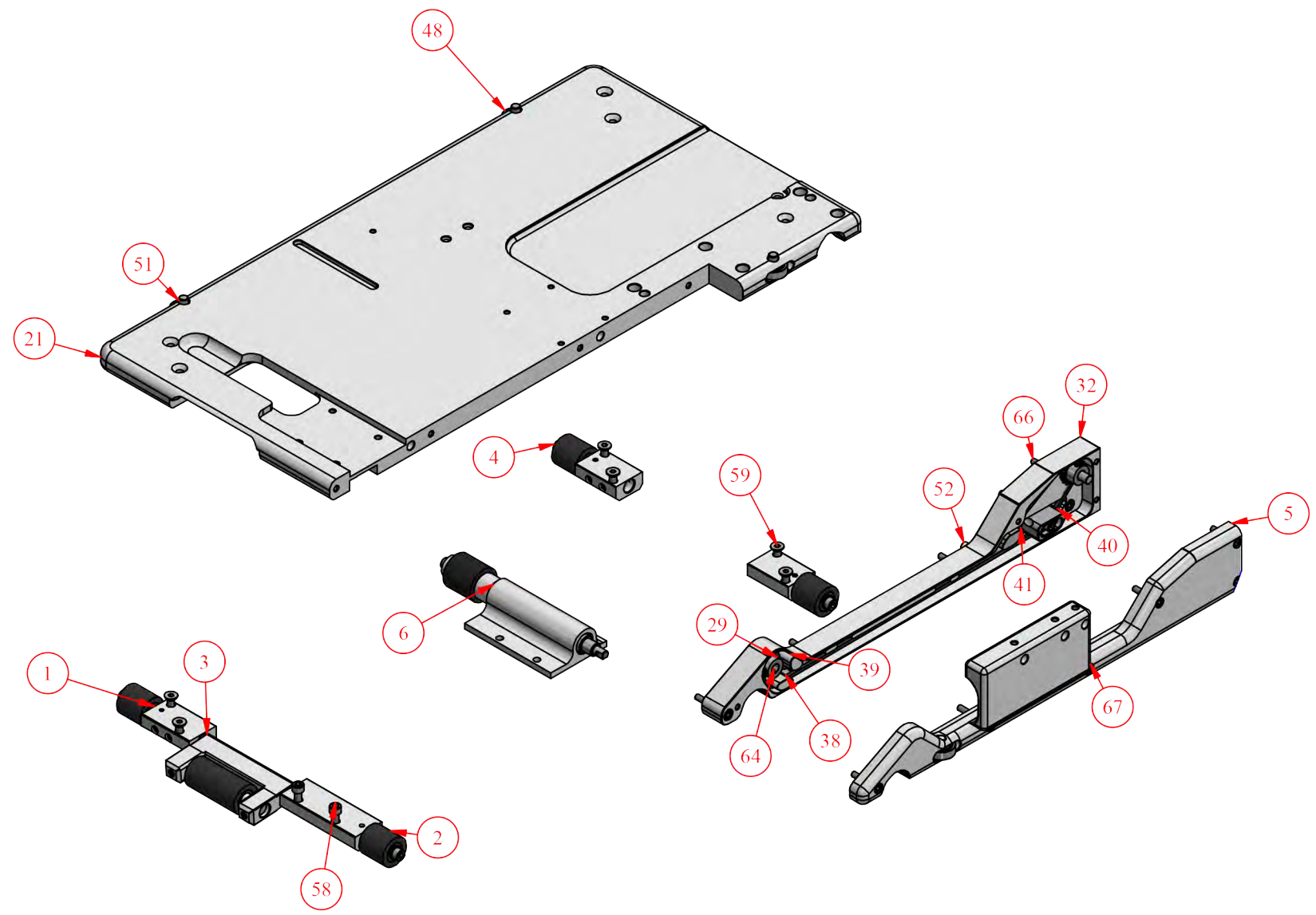
# MILLER WELDMASTER TRIAD EXTREME EXPLODED PARTS DIAGRAM



SEE SHEET 4 AND 5  
FOR PARTS LIST

SEE SHEET 3

**MILLER WELDMASTER  
TRIAD EXTREME EXPLODED PARTS DIAGRAM**



**SEE SHEET 4 AND 5  
FOR PARTS LIST**

**DETAIL A  
SCALE 1 / 4**

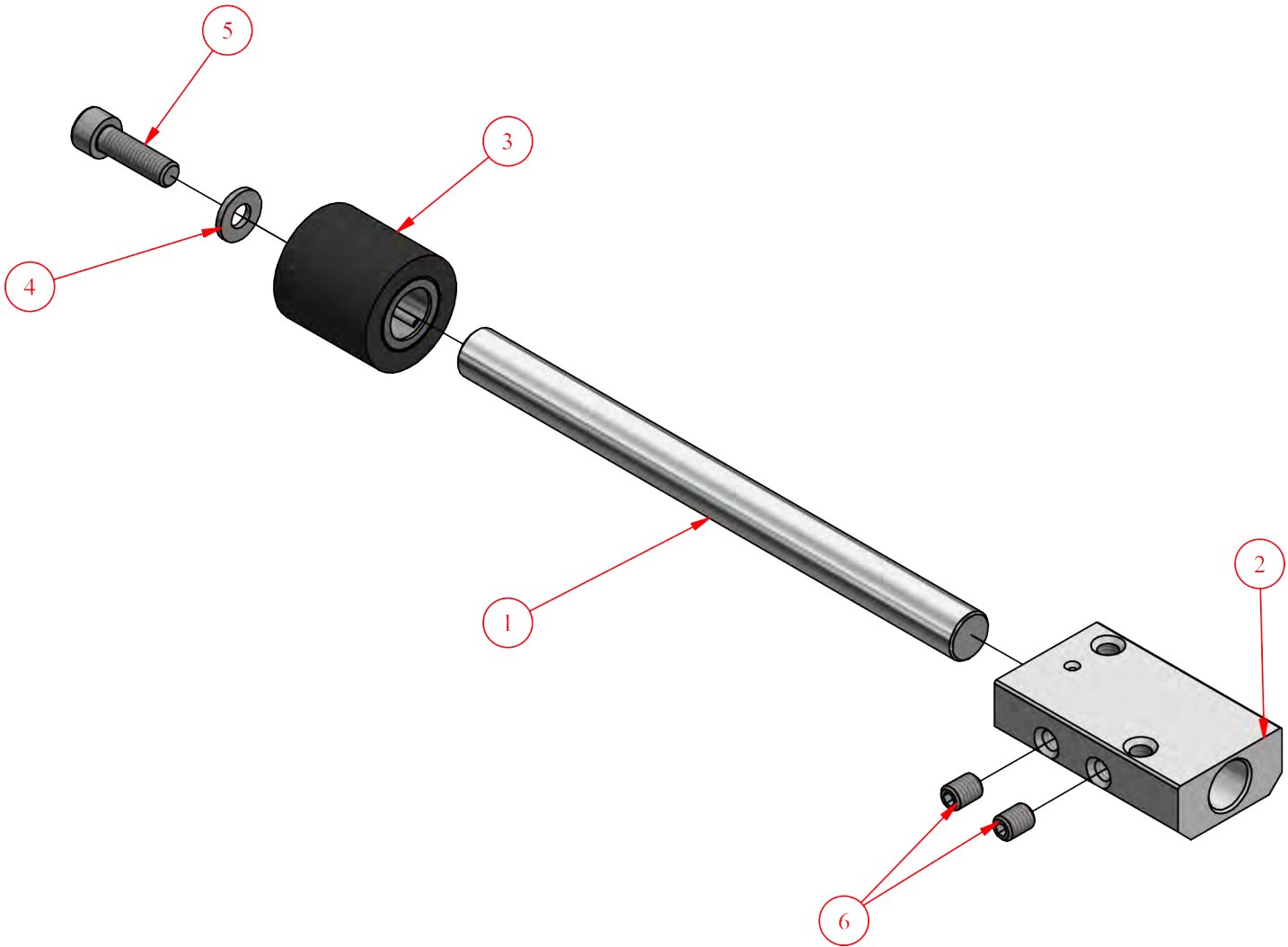
**MILLER WELDMASTER**  
**TRIAD EXTREME EXPLODED**  
**PARTS DIAGRAM**

ITEM	ITEM QTY	PART NUMBER	TITLE
1	1	300-M07-3-1_02	TRIAD EXTREME LEFT REAR WHEEL AXLE MOUNT ASSEMBLY
2	1	300-M07-3-1_03	TRIAD EXTREME RIGHT REAR WHEEL AXLE MOUNT ASSEMBLY
3	1	300-M07-3-1_04	TRIAD EXTREME DRIVE WHEEL TRUNION ARM ASSEMBLY
4	2	300-M07-3-1_05	TRIAD EXTREME FRONT WHEEL AXLE MOUNT ASSEMBLY
5	1	300-M07-3-3_02	TRIAD EXTREME LOWER FINAL CHAIN HOUSING COVER ASSEMBLY
6	1	300-M07-3-3_03	TRIAD EXTREME LOWER FINAL DRIVE SHAFT HOUSING ASSEMBLY
7	1	300-M07-5-1_01	TRIAD EXTREME PINCH/WEDGE DRIVE ARM HUB ASSEMBLY
8	1	300-M07-5-1_02	TRIAD EXTREME PINCH/WEDGE DRIVE PLATE HOUSING ASSEMBLY
9	1	300-M07-5-2_01	TRIAD EXTREME WEDGE PIVOT LINEAR HOUSING ASSEMBLY
10	1	300-M07-5-3_01	TRIAD EXTREME UPPER ROLLER ARM ASSEMBLY
11	1	300-M07-5-3_02	TRIAD EXTREME UPPER ROLLER LAYSHAFT SUPPORT ASSEMBLY
12	1	300-M07-7-1_01	TRIAD EXTREME INTERMEDIATE GEAR ASSEMBLY
13	1	300-M07-7-1_02	TRIAD EXTREME LOWER ROLLER PRIMARY MAIN SHAFT ASSEMBLY
14	1	300-M07-7-1_03	TRIAD EXTREME LOWER ROLLER PRIMARY MAIN SHAFT ASSEMBLY
15	1	300-M07-9-1_02	TRIAD EXTREME BACK SIDE GUIDE ROD ASSEMBLY
16	1	300-M07-9-1_03	TRIAD EXTREME GUIDE ROD BLOCK ASSEMBLY
17	1	300-M07-9-1_04	TRIAD EXTREME CORD-HEM WEDGE HOUSING ASSEMBLY
18	1	300-M07-9-1_05	TRIAD EXTREME WEDGE ASSEMBLY
19	1	300-M07-9-3_01	TRIAD EXTREME HEM WELD OUTER GUIDE ASSEMBLY
20	1	300-M08-8-1	TRIAD EXTREME TOP COVER HEM & HANDLE ASSEMBLY
21	1	300001	TRIAD EXTREME CHASSIS BASE PLATE
22	1	300002	TRIAD EXTREME CHASSIS HOUSING
23	1	300003	TRIAD EXTREME CHASSIS MOTOR HOUSING
24	1	300004	TRIAD EXTREME CHASSIS CONTROL HOUSING
25	1	300006	TRIAD EXTREME CHASSIS PRIMARY DRIVE COVER
26	1	300016	TRIAD EXTREME LOWER PRIMARY CHAIN TENSIONER
27	1	300018	TRIAD EXTREME GEAR
28	1	300020	TRIAD EXTREME GEAR
29	1	300021	TRIAD EXTREME SPROCKET
30	1	300026	TRIAD EXTREME UPPER PRIMARY CHAIN TENSIONER PLUNGER

**MILLER WELDMASTER**  
**TRIAD EXTREME EXPLODED**  
**PARTS DIAGRAM**

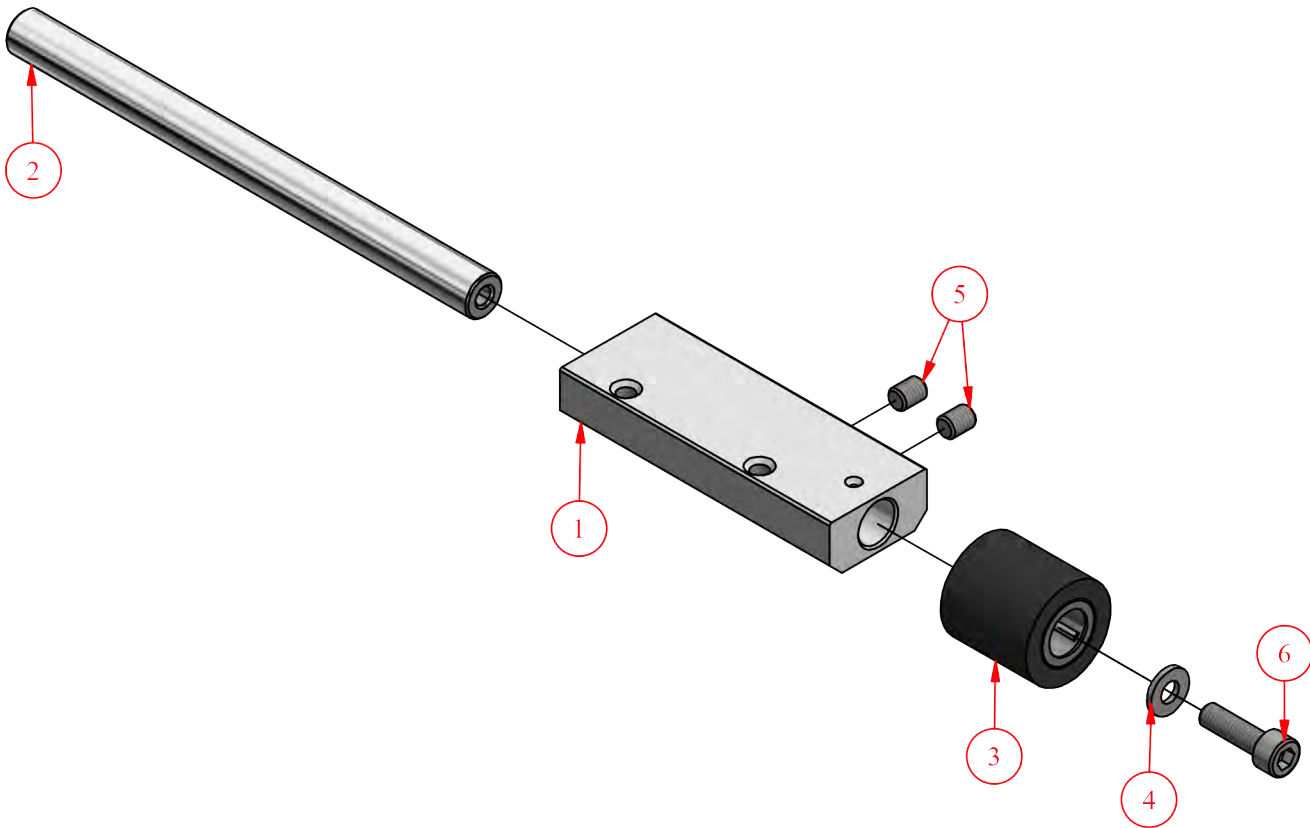
ITEM	ITEM QTY	PART NUMBER	TITLE
31	1	300027	TRIAD EXTREME UPPER PRIMARY CHAIN TENSIONER
32	1	300033	TRIAD EXTREME LOWER FINAL CHAIN HOUSING
33	1	300048	TRIAD EXTREME SUPPORT PLATE
34	1	300057	TRIAD EXTREME PINCH/WEDGE DRIVE ARM SPINDLE
35	1	300079	TRIAD EXTREME WEDGE HEIGHT ADJUSTER
36	1	300089	TRIAD EXTREME WEDGE TENSIONER UPPER MOUNT
37	1	300124_01	TRIAD EXTREME OJET-TEMPERATURE CONTROL PANEL ASSEMBLY
38	1	300130	TRIAD EXTREME LOWER FINAL CHAIN RUB BTM/REAR
39	1	300131	TRIAD EXTREME LOWER FINAL CHAIN RUB TOP/REAR
40	1	300132	TRIAD EXTREME LOWER FINAL CHAIN RUB BTM/FRONT
41	1	300133	TRIAD EXTREME LOWER FINAL CHAIN RUB TOP/FRONT
42	1	310129	DRIVE MOTOR
43	1	310133	BUSHIG ALUMINIUM
44	1	310135-3-3	CHAIN
45	1	310135-5-3_01	CHAIN
46	1	310135-7-5	CHAIN
47	3	310157	CAM ROLLER BEARING
48	4	310158	BEARING
49	1	310159	BEARING
50	1	310160	BEARING
51	13	392007	DOWEL PIN
52	2	392008	DOWEL PIN
53	2	392012	TRIAD EXTREME DOWEL PIN
54	1	392050	SPRING
55	1	392051	SPRING
56	1	392055	TRIAD EXTREME GAS SPRING ASSEMBLY
57	1	BEARING	BEARING
58	2	FASTENER	BOLT
59	8	FASTENER	BOLT

**TRIAD EXTREME LEFT REAR**  
**WHEEL AXLE MOUNT ASSEMBLY**  
**PN 300-M07-3-1\_02**



ITEM	ITEM QTY	PART NUMBER	TITLE
1	1	300013	TRIAD EXTREME REAR IDLER WHEEL AXLE
2	1	300011	TRIAD EXTREME LEFT REAR WHEEL AXLE MOUNT
3	1	310125	IDLER/TRAVEL WHEEL & BEARING ASSY
4	1	FASTENER	WASHER
5	1	FASTENER	SOCKET HEAD CAP SCREW
6	2	FASTENER	SET SCREW

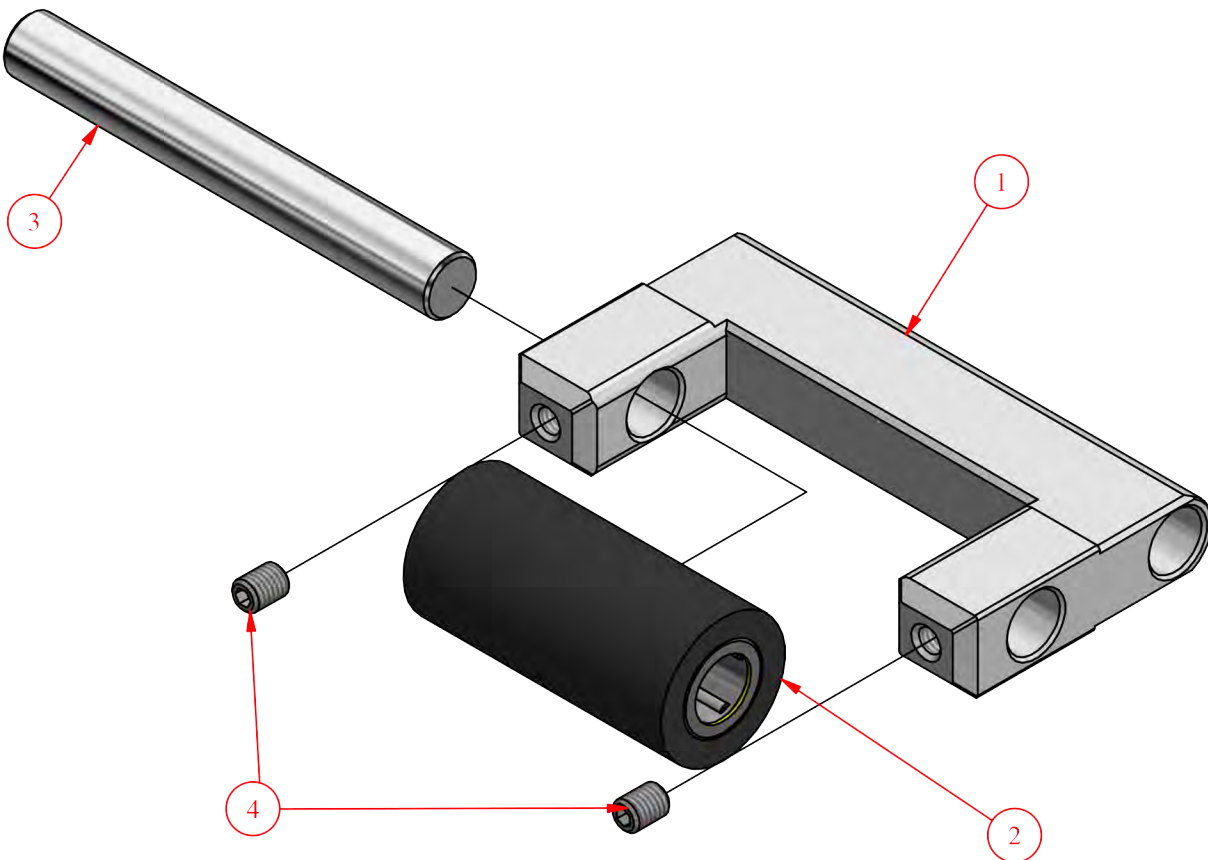
**TRIAD EXTREME RIGHT REAR  
WHEEL AXLE MOUNT ASSEMBLY  
PN 300-M07-3-1\_03**



ITEM	ITEM QTY	PART NUMBER	TITLE
1	1	300010	TRIAD EXTREME RIGHT REAR WHEEL AXLE MOUNT
2	1	300013	TRIAD EXTREME REAR IDLER WHEEL AXLE
3	1	310125	IDLER/TRAVEL WHEEL & BEARING ASSY
4	1	FASTENER	WASHER
5	2	FASTENER	SET SCREW
6	1	FASTENER	SOCKET HEAD CAP SCREW

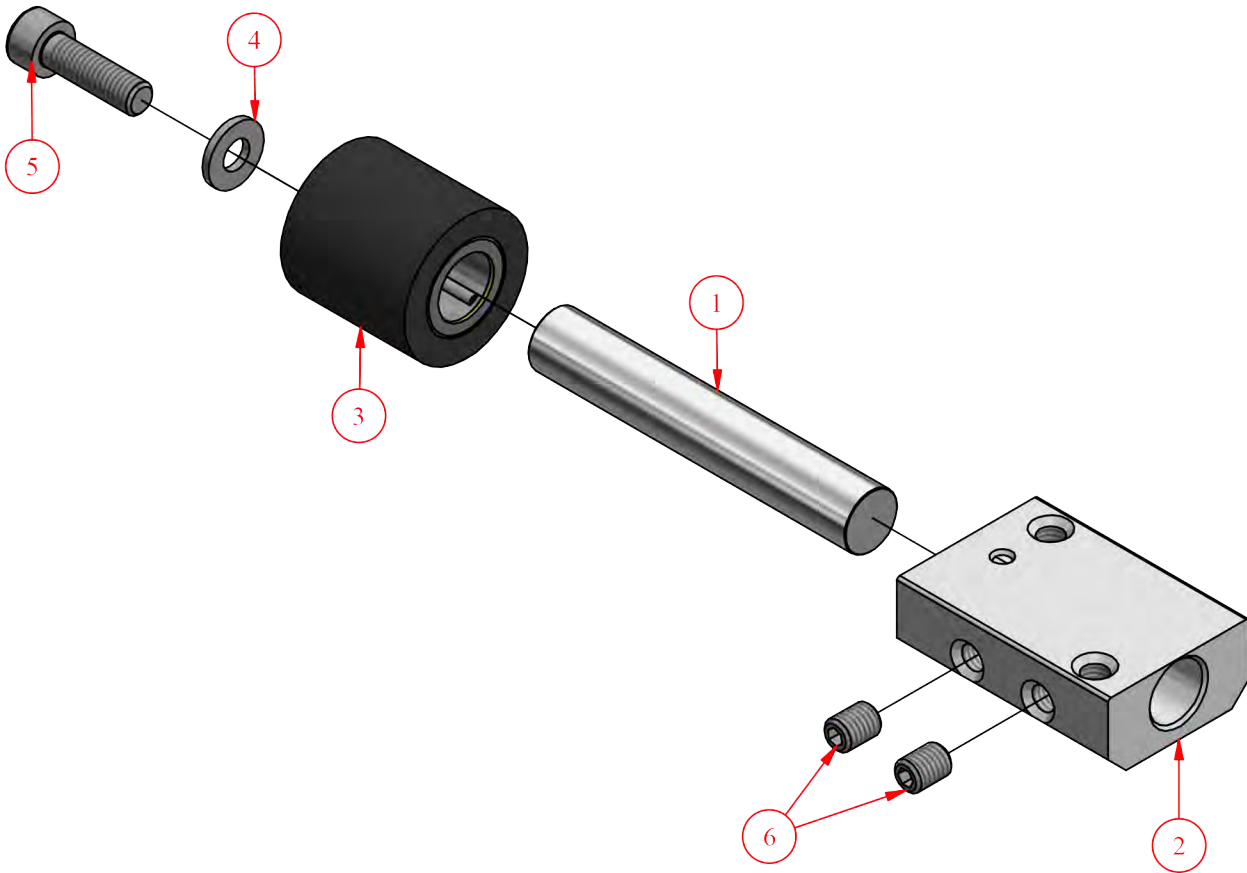


**TRIAD EXTREME DRIVE**  
**WHEEL TRUNION ARM ASSEMBLY**  
**PN 300-M07-3-1\_04**



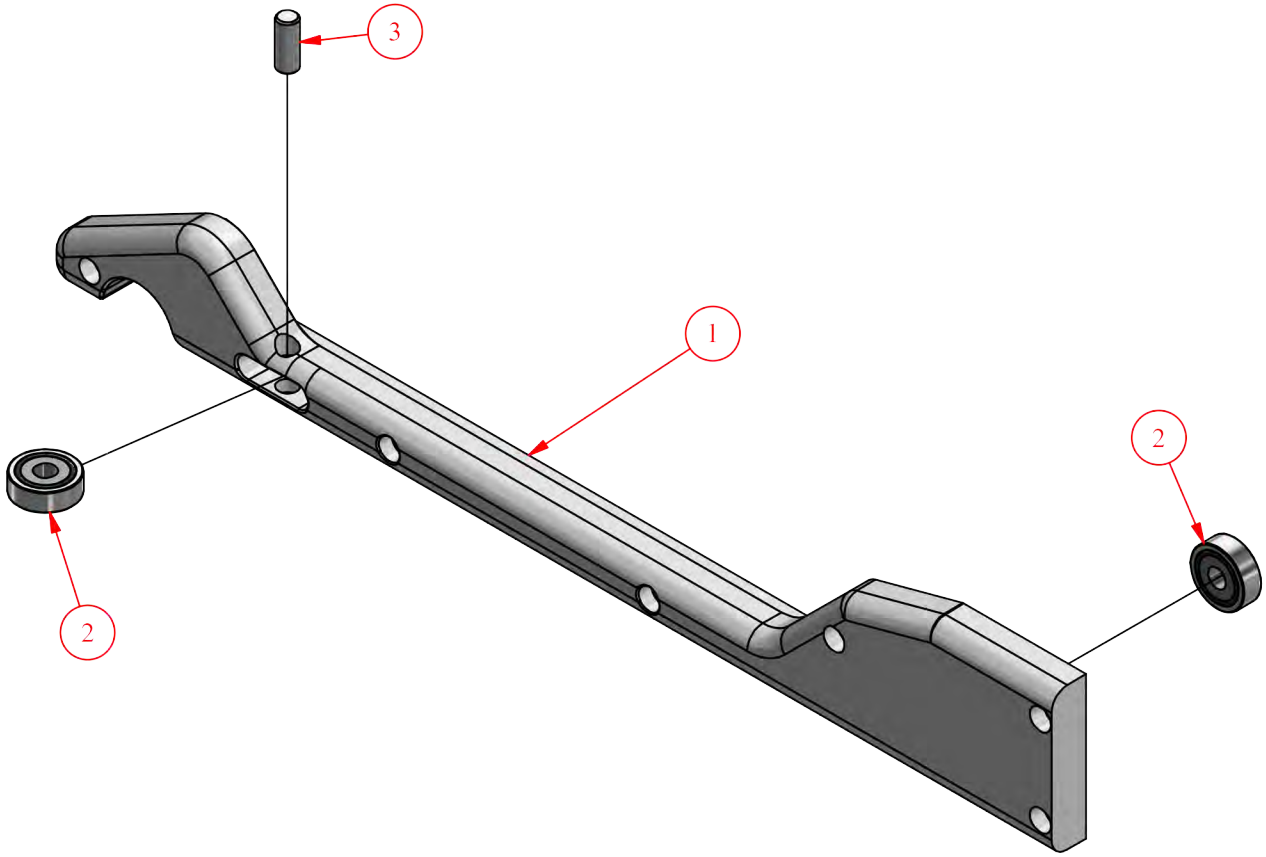
ITEM	ITEM QTY	PART NUMBER	TITLE
1	1	300007	TRIAD EXTREME DRIVE WHEEL TRUNION ARM
2	1	310124	TRAVEL WHEEL (STD) & BEARING/WASHER
3	1	392000	DRIVE WHEEL TRUNION SHAFT
4	2	FASTENER	SET SCREW

**TRIAD EXTREME FRONT**  
**WHEEL AXLE MOUNT ASSEMBLY**  
**PN 300-M07-3-1\_05**



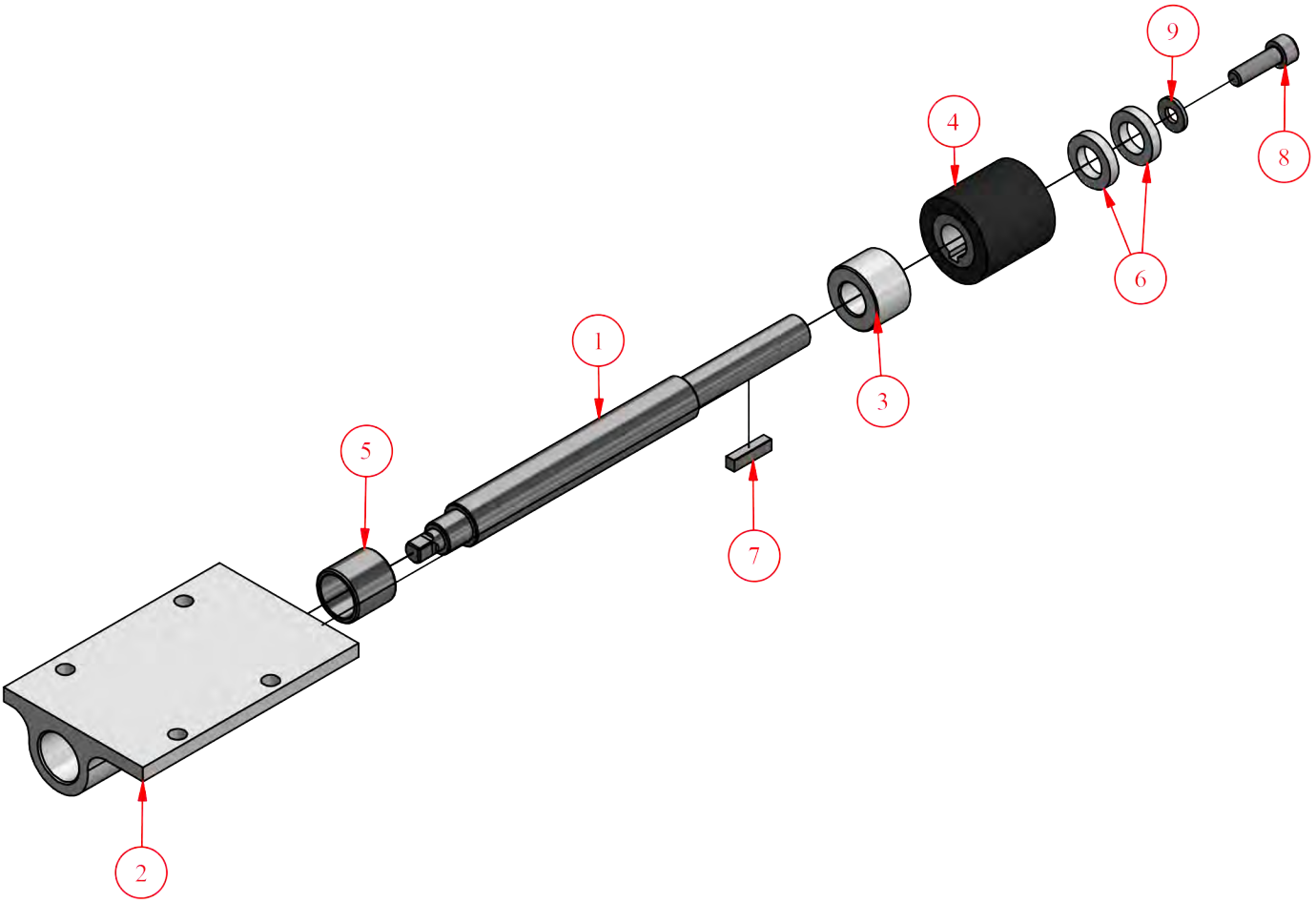
ITEM	ITEM QTY	PART NUMBER	TITLE
1	1	300008	TRIAD EXTREME FRONT IDLER WHEEL AXLE
2	1	300009	TRIAD EXTREME FRONT WHEEL AXLE MOUNT
3	1	310125	IDLER/TRAVEL WHEEL & BEARING ASSY
4	1	FASTENER	WASHER
5	1	FASTENER	SOCKET HEAD CAP SCREW
6	2	FASTENER	SET SCREW

**TRIAD EXTREME LOWER FINAL**  
**CHAIN HOUSING COVER ASSEMBLY**  
**PN 300-M07-3-3 02**



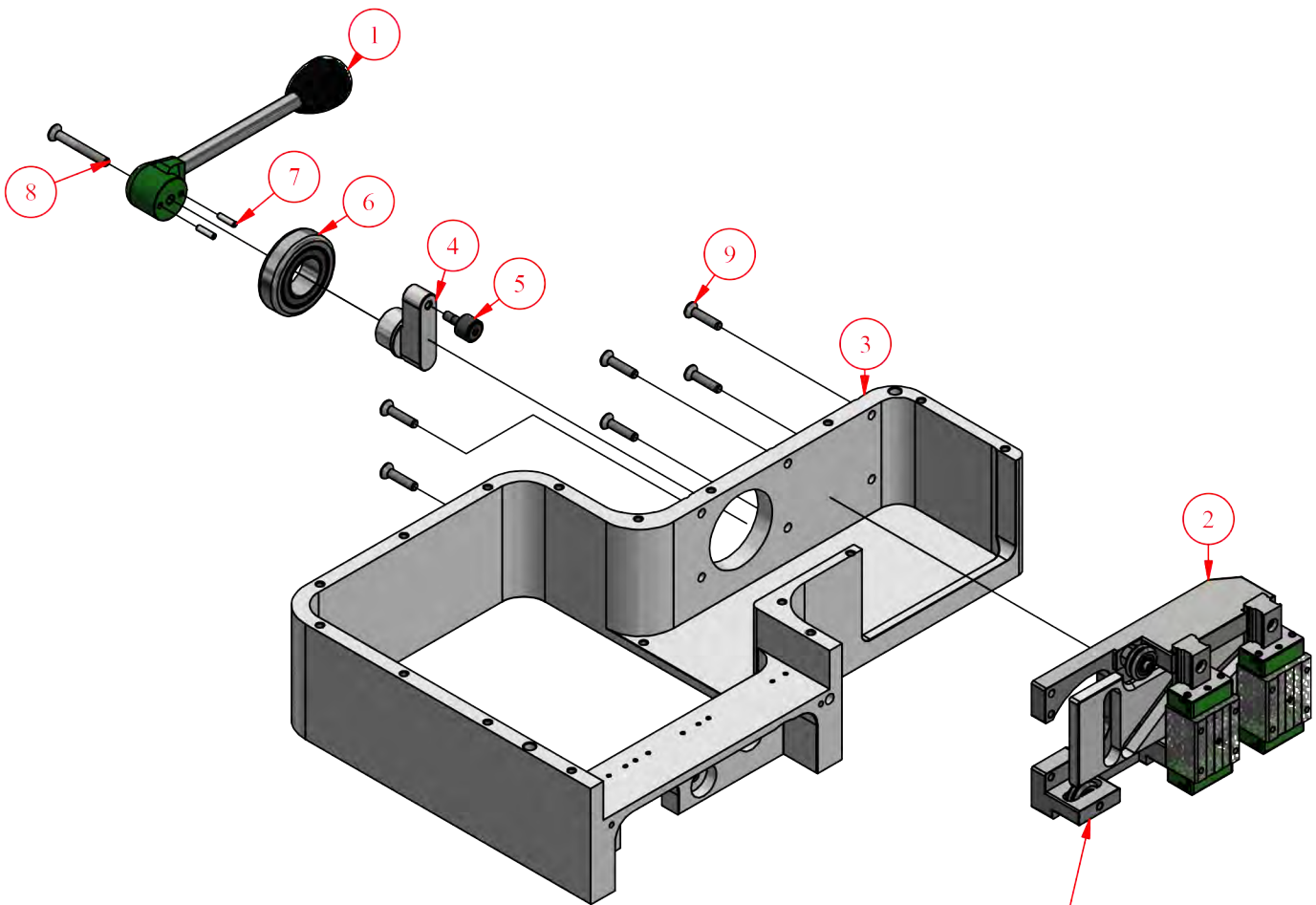
ITEM	ITEM QTY	PART NUMBER	TITLE
1	1	300034	TRIAD EXTREME LOWER FINAL CHAIN HOUSING COVER
2	2	310158	BEARING
3	1	392008	DOWEL PIN

**TRIAD EXTREME LOWER FINAL  
DRIVE SHAFT HOUSING ASSEMBLY  
PN 300-M07-3-3\_03**



ITEM	ITEM QTY	PART NUMBER	TITLE
1	1	300032	TRIAD EXTREME LOWER FINAL DRIVE SHAFT
2	1	300035	TRIAD EXTREME LOWER FINAL DRIVE SHAFT HOUSING
3	1	300380	PRESSURE ROLLER SPACER 1.0 ROLLER
4	1	310126.1	PRESSURE ROLLER 1" SILICON
5	1	310128	TRIAD EXTREME NEEDLE BEARING
6	2	392036	ARBOR SHIM
7	1	392080	TRIAD EXTREME KEYWAY
8	1	FASTENER	SOCKET HEAD CAP SCREW
9	1	FASTENER	WASHER

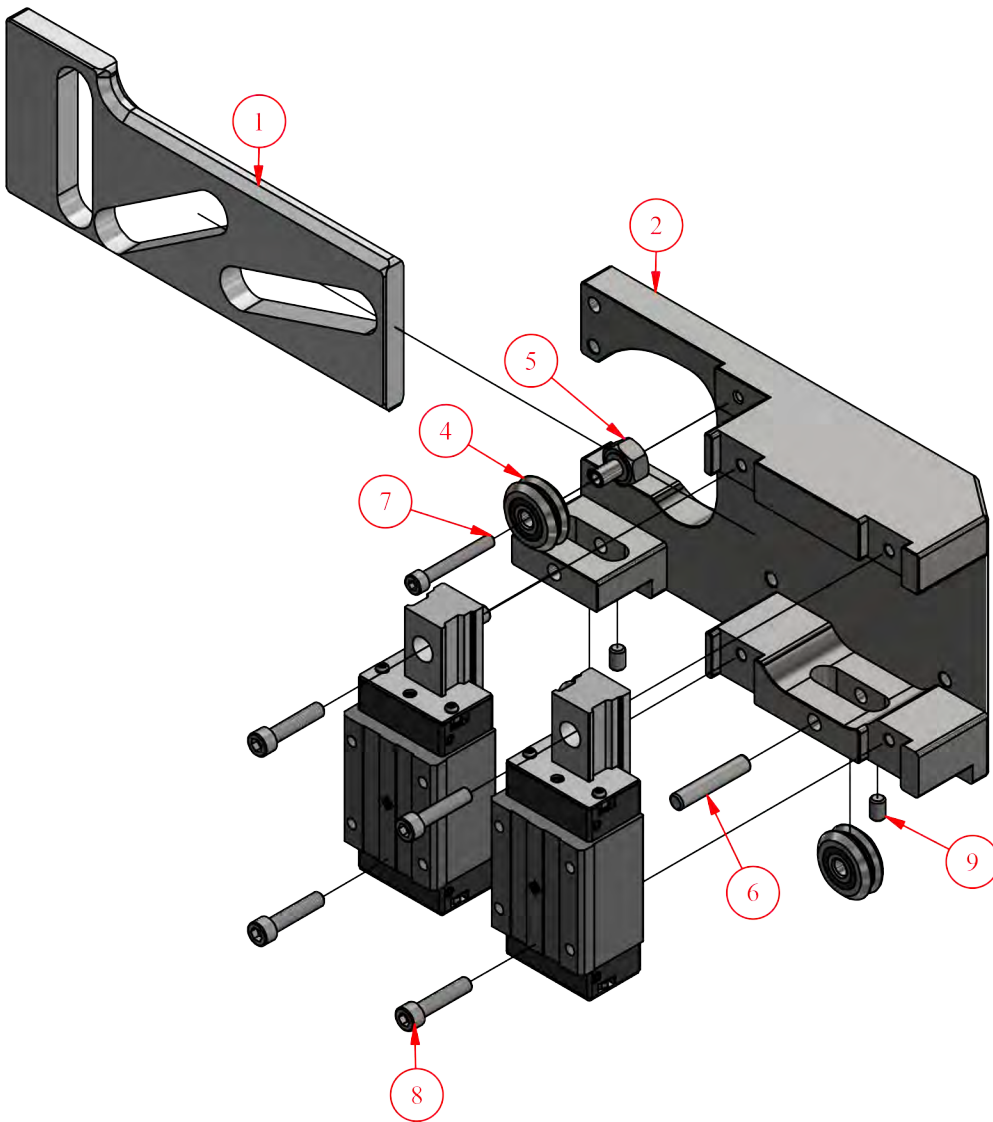
**TRIAD EXTREME WEDGE CONTROL SYSTEM**  
**AND UPPER DRIVE PINCH ROLLER CONTROLS**  
**PN 300-M07-5-1**



**SEE SHEET 13  
FOR DETAIL**

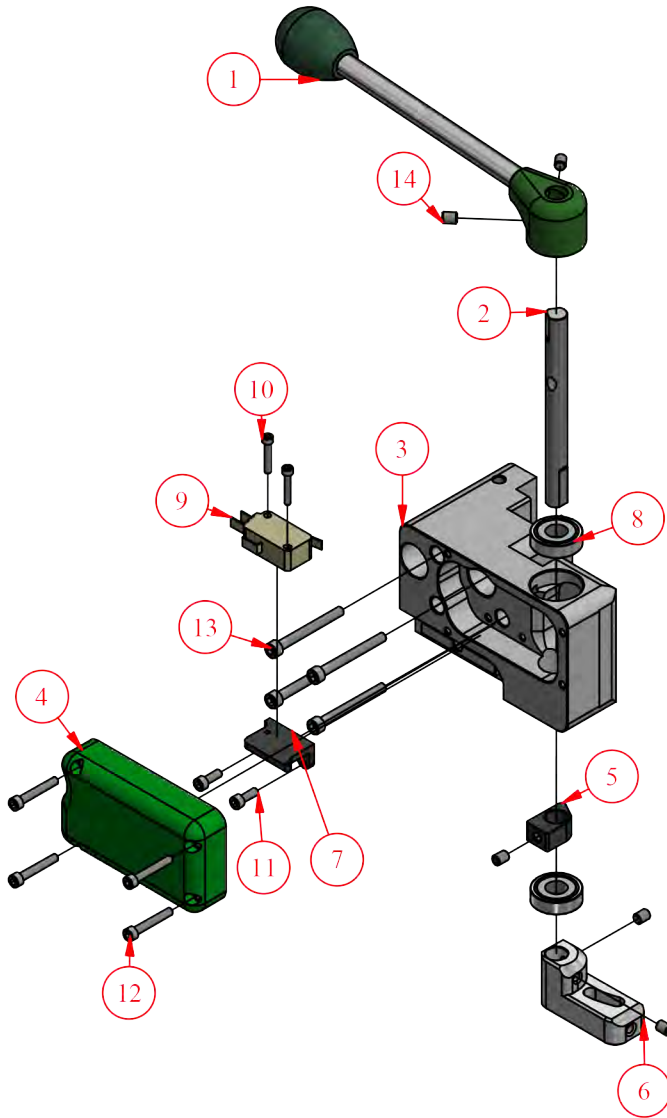
ITEM	ITEM QTY	PART NUMBER	TITLE
1	1	300-M07-5-1_01	TRIAD EXTREME PINCH/WEDGE DRIVE ARM HUB ASSEMBLY
2	1	300-M07-5-1_02	TRIAD EXTREME PINCH/WEDGE DRIVE PLATE HOUSING ASSEMBLY
3	1	300004	TRIAD EXTREME CHASSIS CONTROL HOUSING
4	1	300057	TRIAD EXTREME PINCH/WEDGE DRIVE ARM SPINDLE
5	1	310157	CAM ROLLER BEARING
6	1	310160	BEARING
7	2	392012	TRIAD EXTREME DOWEL PIN
8	1	FASTENER	FLAT HEAD COUNTER SUNK SCREW
9	6	FASTENER	FLAT HEAD COUNTER SUNK SCREW

**TRIAD EXTREME PINCH/WEDGE**  
**DRIVE PLATE HOUSING ASSEMBLY**  
**PN 300-M07-5-1\_02**



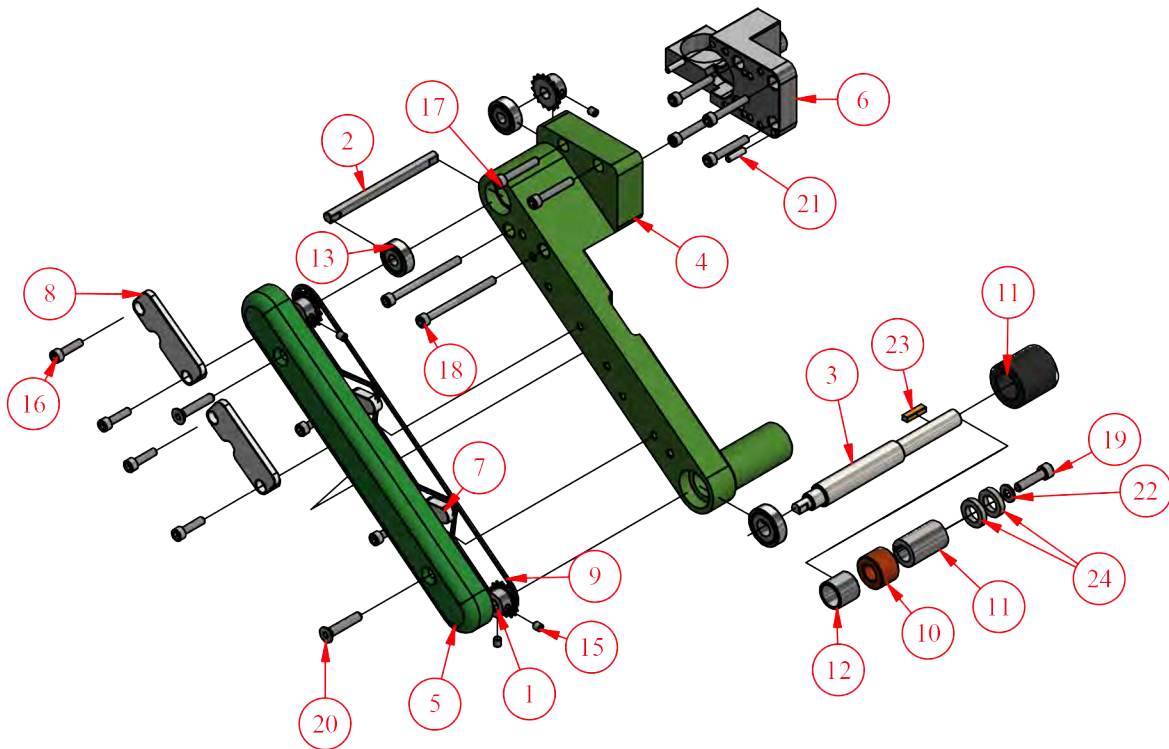
ITEM	ITEM QTY	PART NUMBER	TITLE
1	1	300052	TRIAD EXTREME PINCH/WEDGE DRIVE PLATE
2	1	300055	TRIAD EXTREME PINCH/WEDGE DRIVE PLATE HOUSING
3	2	310001.1	LINER RAIL/LINER BEARING ASSEMBLY
4	3	310145	V-WHEEL ROLLER
5	1	310146	TRIAD EXTREME ECCENTRIC HUB V-WHEEL
6	2	392010	DOWEL PIN
7	1	FASTENER	SOCKET HEAD CAP SCREW
8	4	FASTENER	SOCKET HEAD CAP SCREW
9	2	FASTENER	SET SCREW

**TRIAD EXTREME WEDGE**  
**PIVOT LINEAR HOUSING ASSEMBLY**  
**PN 300-M07-5-2\_01**



ITEM	ITEM QTY	PART NUMBER	TITLE
1	1	300-M07-5-2_02	TRIAD EXTREME WEDGE PIVOT ARM HUB ASSEMBLY
2	1	300080	TRIAD EXTREME WEDGE PIVOT SHAFT
3	1	300082	TRIAD EXTREME WEDGE PIVOT LINEAR HOUSING
4	1	300083	TRIAD EXTREME WEDGE PIVOT HOUSING COVER
5	1	300086	TRIAD EXTREME WEDGE TRAVEL AUTO START CAM
6	1	300088	TRIAD EXTREME WEDGE ANGLE ADJUSTER HUB
7	1	300099	TRIAD EXTREME AUTO START SWITCH BRACKET
8	2	310159	BEARING
9	1	393060	LIMIT SWITCH
10	2	FASTENER	SOCKET HEAD CAP SCREW
11	2	FASTENER	SOCKET HEAD CAP SCREW
12	4	FASTENER	SOCKET HEAD CAP SCREW
13	4	FASTENER	SOCKET HEAD CAP SCREW
14	5	FASTENER	SET SCREW

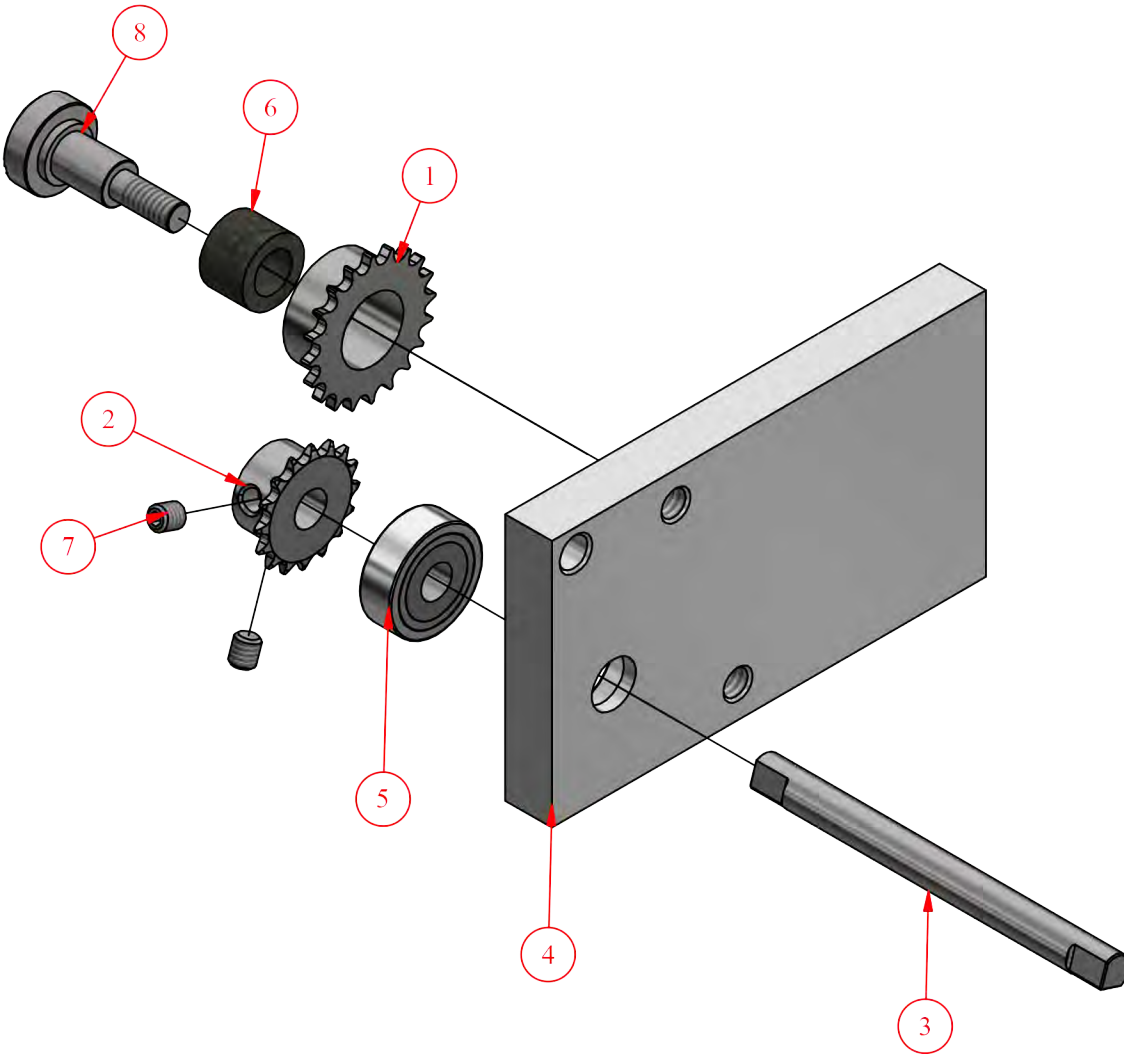
**TRIAD EXTREME**  
**UPPER ROLLER ARM ASSEMBLY**  
**PN 300-M07-5-3 01**



ITEM	ITEM QTY	PART NUMBER	TITLE
1	3	300021	TRIAD EXTREME SPROCKET
2	1	300023	TRIAD EXTREME UPPER ROLLER PRIMARY SHAFT
3	1	300024	TRIAD EXTREME UPPER ROLLER FINAL ROLLER DRIVE SHAFT
4	1	300070	TRIAD EXTREME UPPER ROLLER ARM
5	1	300071	TRIAD EXTREME UPPER ROLLER ARM CHAIN COVER
6	1	300072	TRIAD EXTREME UPPER ROLLER ARM LIFT MOUNT
7	2	300076	TRIAD EXTREME UPPER FINAL CHAIN TENSION BLOCK
8	2	300077	TRIAD EXTREME UPPER FINAL CHAIN RUB BLOCK
9	1	300222C	Triad Stainless Upper Final Chain, Precut
10	1	300380	PRESSURE ROLLER SPACER 1.0 ROLLER
11	1	310126.1	PRESSURE ROLLER 1" SILICON
12	1	310128	TRIAD EXTREME NEEDLE BEARING
13	2	310158	BEARING
14	1	310159	BEARING
15	6	391028_01	SET SCREW
16	6	391031	SOCKET HEAD CAP SCREW
17	6	391033	SOCKET HEAD CAP SCREW
18	2	391034	SOCKET HEAD CAP SCREW
19	1	391051	SOCKET HEAD CAP SCREW
20	2	391063	SOCKET HEAD CAP SCREW
21	2	392012	TRIAD EXTREME DOWEL PIN
22	1	392025	WASHER
23	1	392080	TRIAD EXTREME KEYWAY
24	2	WASHER	WASHER

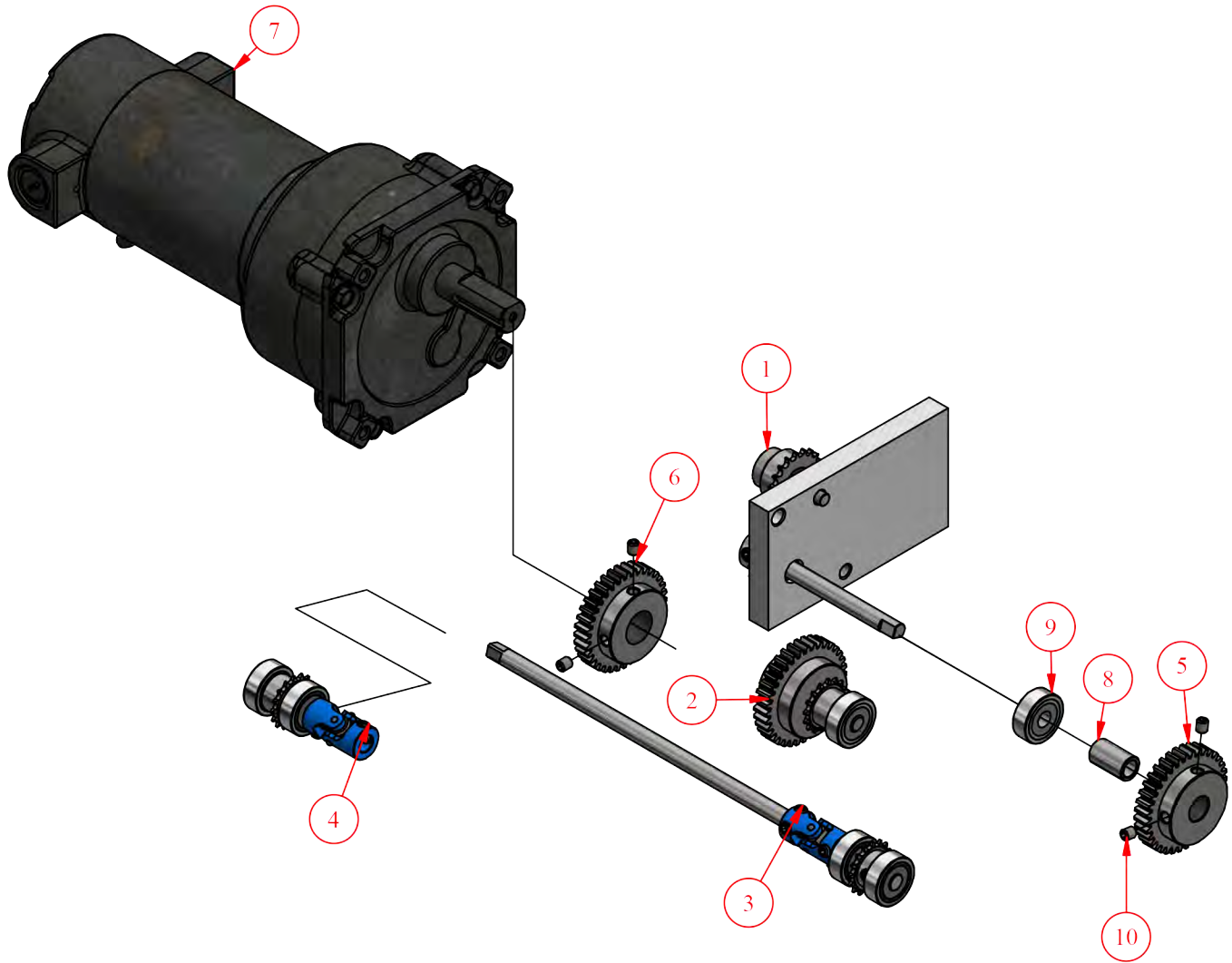


**TRIAD EXTREME UPPER ROLLER**  
**LAYSHAFT SUPPORT ASSEMBLY**  
**PN 300-M07-5-3\_02**



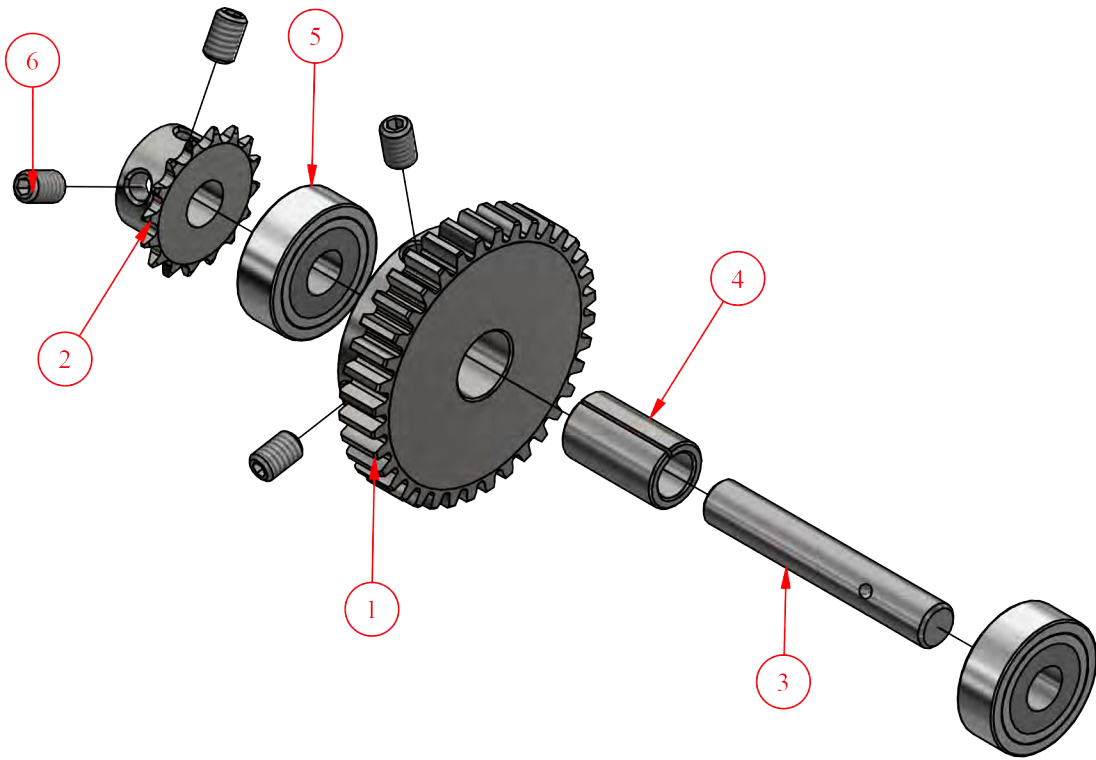
ITEM	ITEM QTY	PART NUMBER	TITLE
1	1	300017	TRIAD EXTREME UPPER PRIM. CHAIN IDLER SPROCKET
2	1	300021	TRIAD EXTREME SPROCKET
3	1	300022	TRIAD EXTREME UPPER ROLLER LAYSHAFT
4	1	300025	TRIAD EXTREME UPPER ROLLER LAYSHAFT SUPPORT
5	1	310158	BEARING
6	1	320024	NEEDLE BEARING
7	2	FASTENER	SET SCREW
8	1	FASTENER	SOCKET HEAD SHOLDER BOLT

**TRIAD EXTREME MAIN**  
**CHASSIS PRIMARY DRIVES**  
**PN 300-M07-7-1**



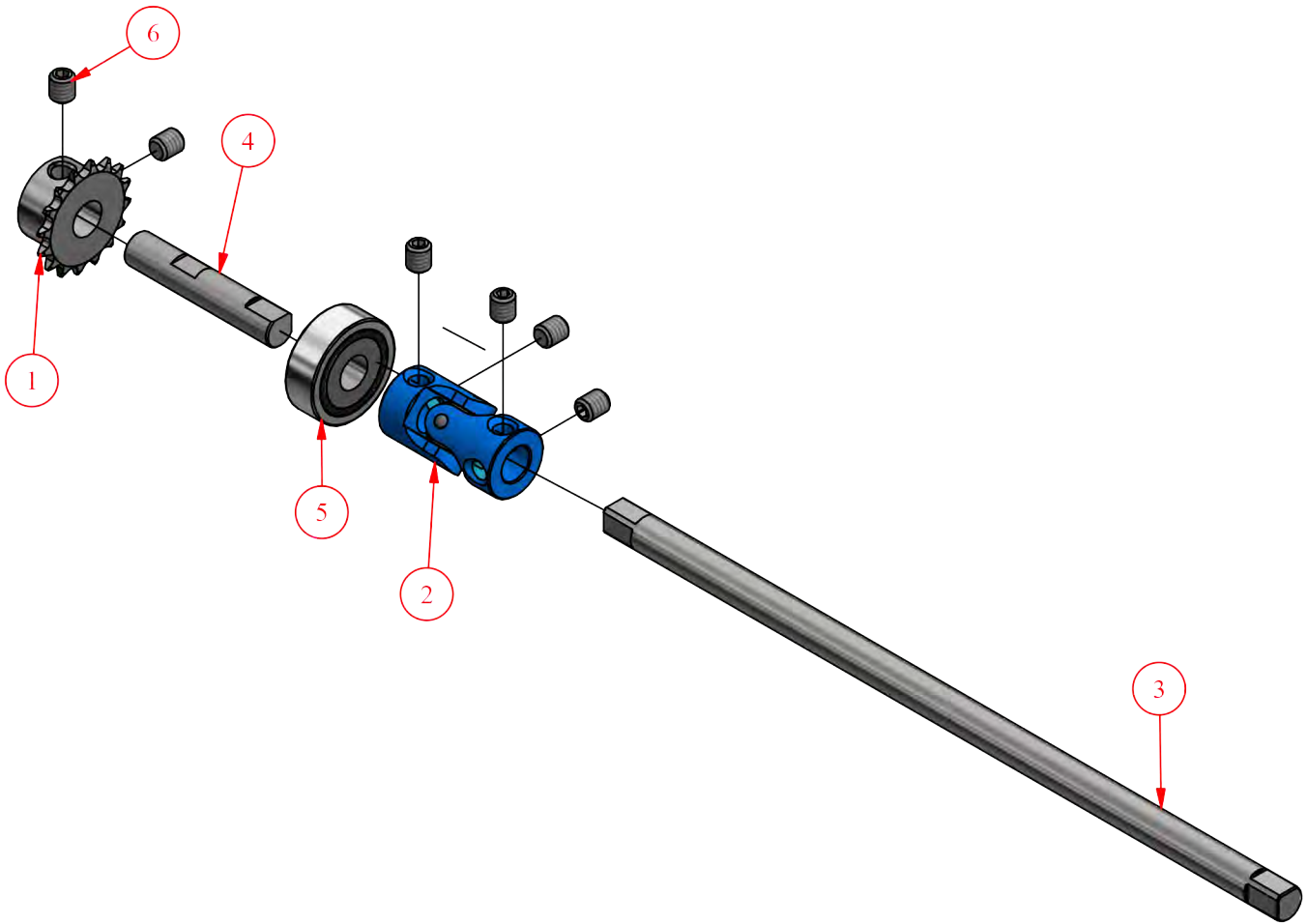
ITEM	ITEM QTY	PART NUMBER	TITLE
1	1	300-M07-5-3_02	TRIAD EXTREME UPPER ROLLER LAYSHAFT SUPPORT ASSEMBLY
2	1	300-M07-7-1_01	TRIAD EXTREME INTERMEDIATE GEAR ASSEMBLY
3	1	300-M07-7-1_02	TRIAD EXTREME LOWER ROLLER PRIMARY MAIN SHAFT ASSEMBLY
4	1	300-M07-7-1_03	TRIAD EXTREME LOWER ROLLER PRIMARY MAIN SHAFT ASSEMBLY
5	1	300018	TRIAD EXTREME GEAR
6	1	300020	TRIAD EXTREME GEAR
7	1	310129	DRIVE MOTOR
8	1	310133	BUSHING ALUMINIUM
9	3	310158	BEARING
10	4	FASTENER	SET SCREW

**TRIAD EXTREME**  
**INTERMEDIATE GEAR ASSEMBLY**  
**PN 300-M07-7-1\_01**



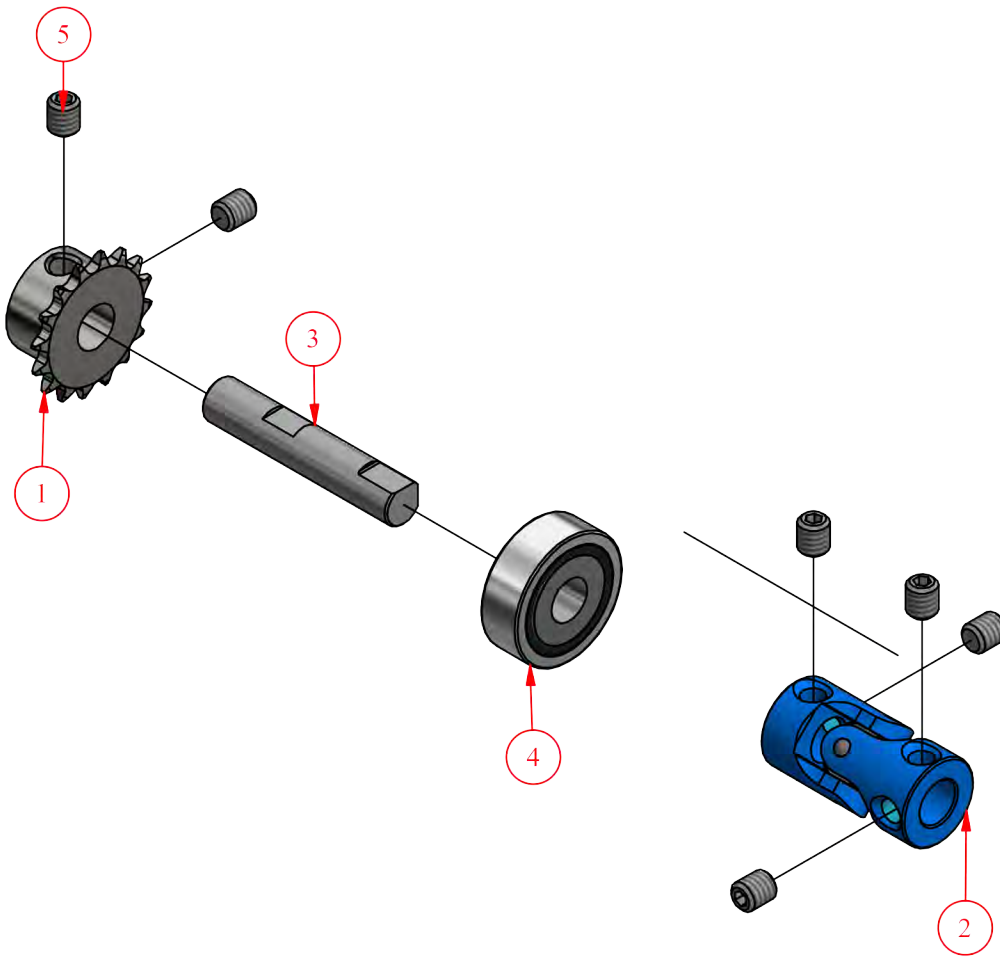
ITEM	ITEM QTY	PART NUMBER	TITLE
1	1	300019	TRIAD EXTREME GEAR
2	1	300021	TRIAD EXTREME SPROCKET
3	1	300029	TRIAD EXTREME LOWER ROLLER LAYSHAFT
4	1	310133	BUSHING ALUMINIUM
5	2	310158	BEARING
6	4	FASTENER	SET SCREW

**TRIAD EXTREME LOWER ROLLER  
PRIMARY MAIN SHAFT ASSEMBLY  
PN 300-M07-7-1\_02**



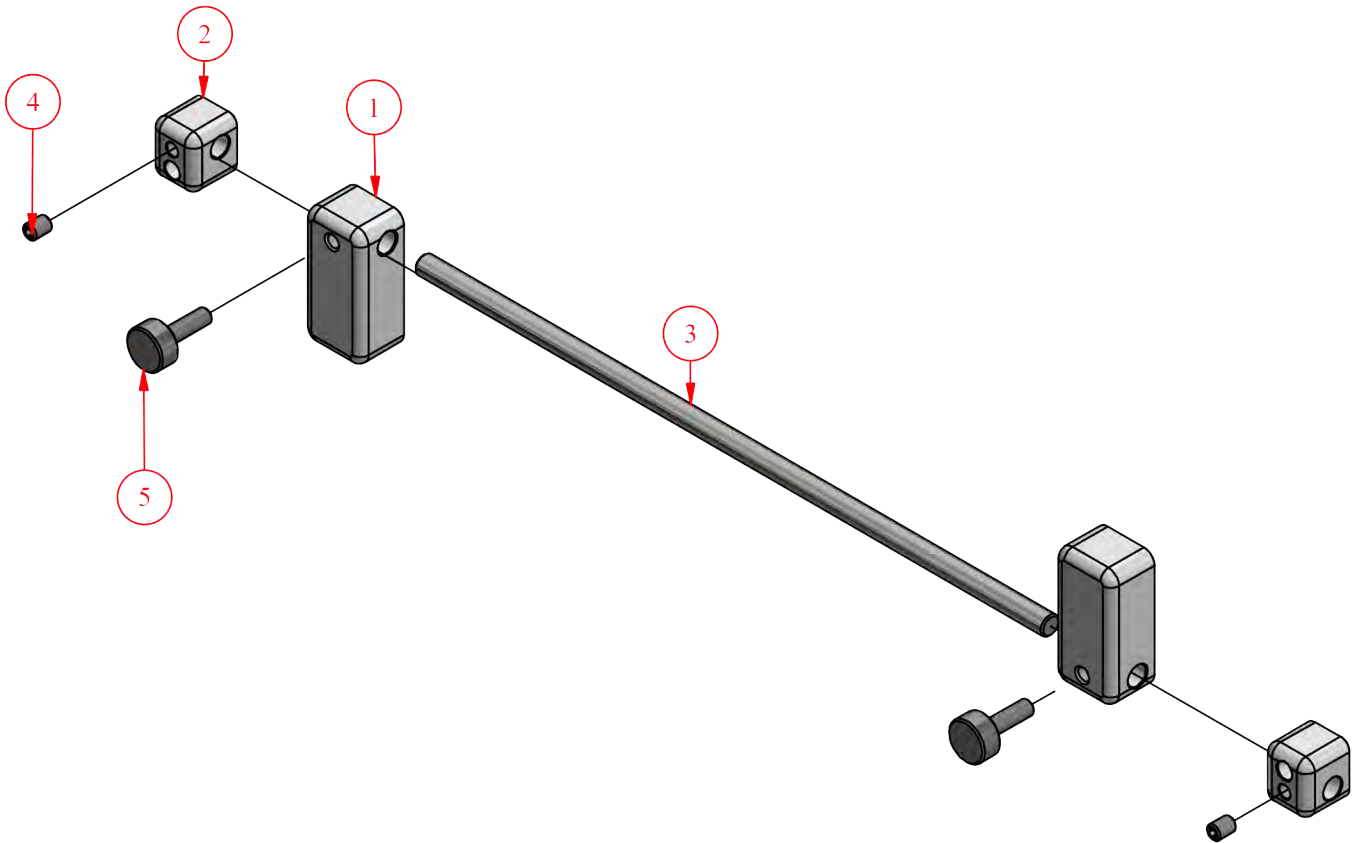
ITEM	ITEM QTY	PART NUMBER	TITLE
1	1	300021	TRIAD EXTREME SPROCKET
2	1	300028	TRIAD EXTREME U-JOINT STANDARD
3	1	300030	TRIAD EXTREME LOWER ROLLER PRIMARY MAIN SHAFT
4	1	300031	TRIAD EXTREME LOWER ROLLER PRIMARY STUB SHAFT
5	1	310158	BEARING
6	6	FASTENER	SET SCREW

**TRIAD EXTREME LOWER ROLLER**  
**PRIMARY MAIN SHAFT ASSEMBLY**  
**PN 300-M07-7-1\_03**



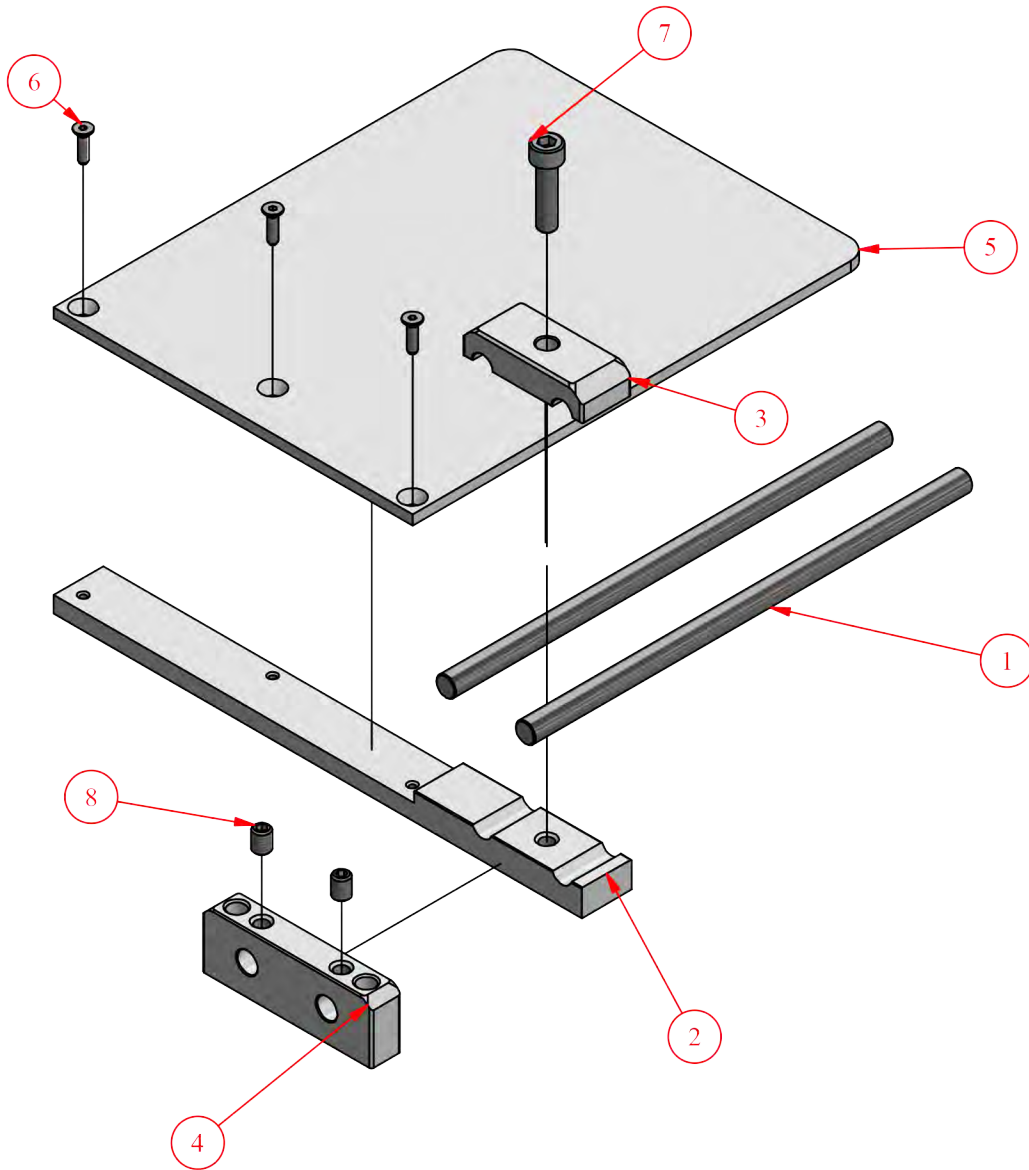
ITEM	ITEM QTY	PART NUMBER	TITLE
1	1	300021	TRIAD EXTREME SPROCKET
2	1	300028	TRIAD EXTREME U-JOINT STANDARD
3	1	300031	TRIAD EXTREME LOWER ROLLER PRIMARY STUB SHAFT
4	1	310158	BEARING
5	6	FASTENER	SET SCREW

**TRIAD EXTREME BACK**  
**SIDE GUIDE ROD ASSEMBLY**  
**PN 300-M07-9-1\_02**



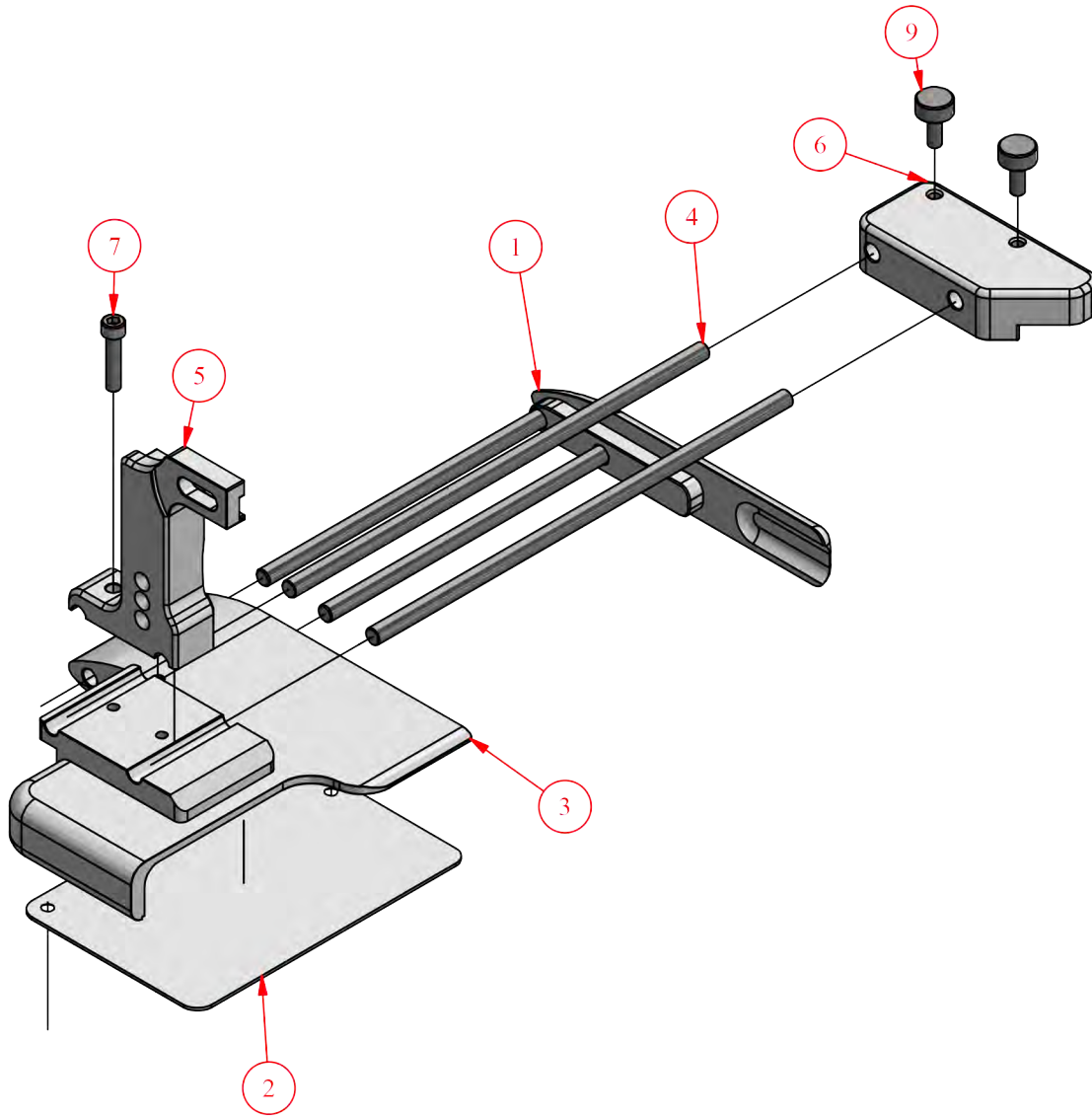
ITEM	ITEM QTY	PART NUMBER	TITLE
1	2	300042	TRIAD EXTREME GUIDE SUPPORT BLOCK-1
2	2	300046	TRIAD EXTREME GUIDE SUPPORT BLOCK
3	1	300094	TRIAD EXTREME BACK SIDE GUIDE ROD
4	2	FASTENER	SET SCREW
5	2	FASTENER	THUMB SCREW

**TRIAD EXTREME GUIDE**  
**ROD BLOCK ASSEMBLY**  
**PN 300-M07-9-1\_03**



ITEM	ITEM QTY	PART NUMBER	TITLE
1	2	300095	TRIAD EXTREME GUIDE ROD
2	1	300113	TRIAD EXTREME OVERLAP GUIDE ROD SUPPORT PLATE
3	1	300116	TRIAD EXTREME OVERLAP GUIDE ROD TOP PLATE
4	1	300118	TRIAD EXTREME GUIDE ROD BLOCK
5	1	300119	TRIAD EXTREME OVERLAP GUIDE PLATE
6	3	FASTENER	FLAT HEAD MACHINE SCREW
7	1	FASTENER	SOCKET HEAD CAP SCREW
8	2	FASTENER	SET SCREW

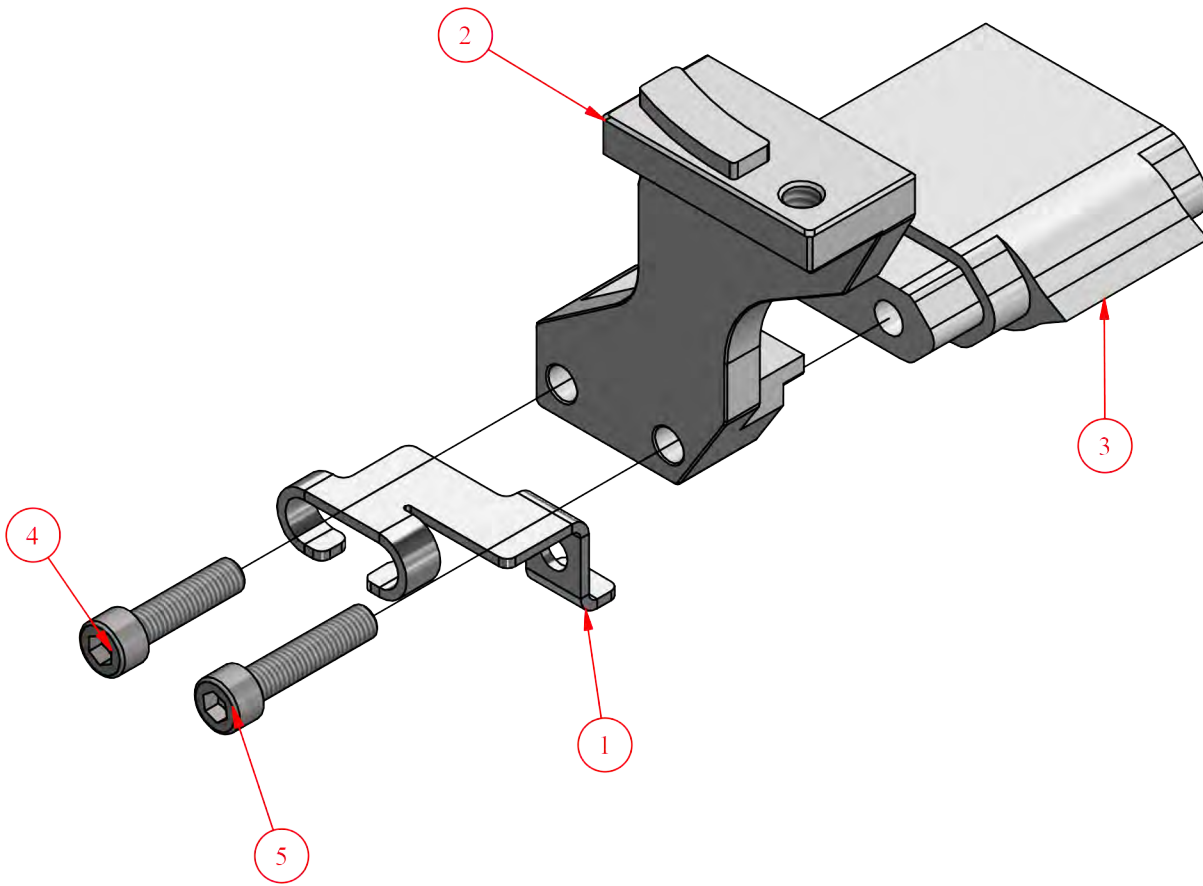
**TRIAD EXTREME CORD-HEM  
WEDGE HOUSING ASSEMBLY**  
**PN 300-M07-9-1\_04**



ITEM	ITEM QTY	PART NUMBER	TITLE
1	1	300-M07-9-1_01	TRIAD EXTREME GUIDE ROD ASSEMBLY
2	1	300041	TRIAD EXTREME WEDGE HOUSING BOTTOM COVER
3	1	300043	TRIAD EXTREME CORD-HEM WEDGE HOUSING
4	2	300096	TRIAD EXTREME HEM OUTER GUIDE RETAINER ROD
5	1	300103	TRIAD EXTREME CORD-HEM OUT/TOP GUIDE
6	1	300114	TRIAD EXTREME CORD-HEM BTM GUIDE ADJUSTMENT PLATE
7	1	FASTENER	SOCKET HEAD CAP SCREW
8	1	FASTENER	SET SCREW
9	2	FASTENER	THUMB SCREW
10	4	FASTENER	FLAT HEAD MACHINE SCREW

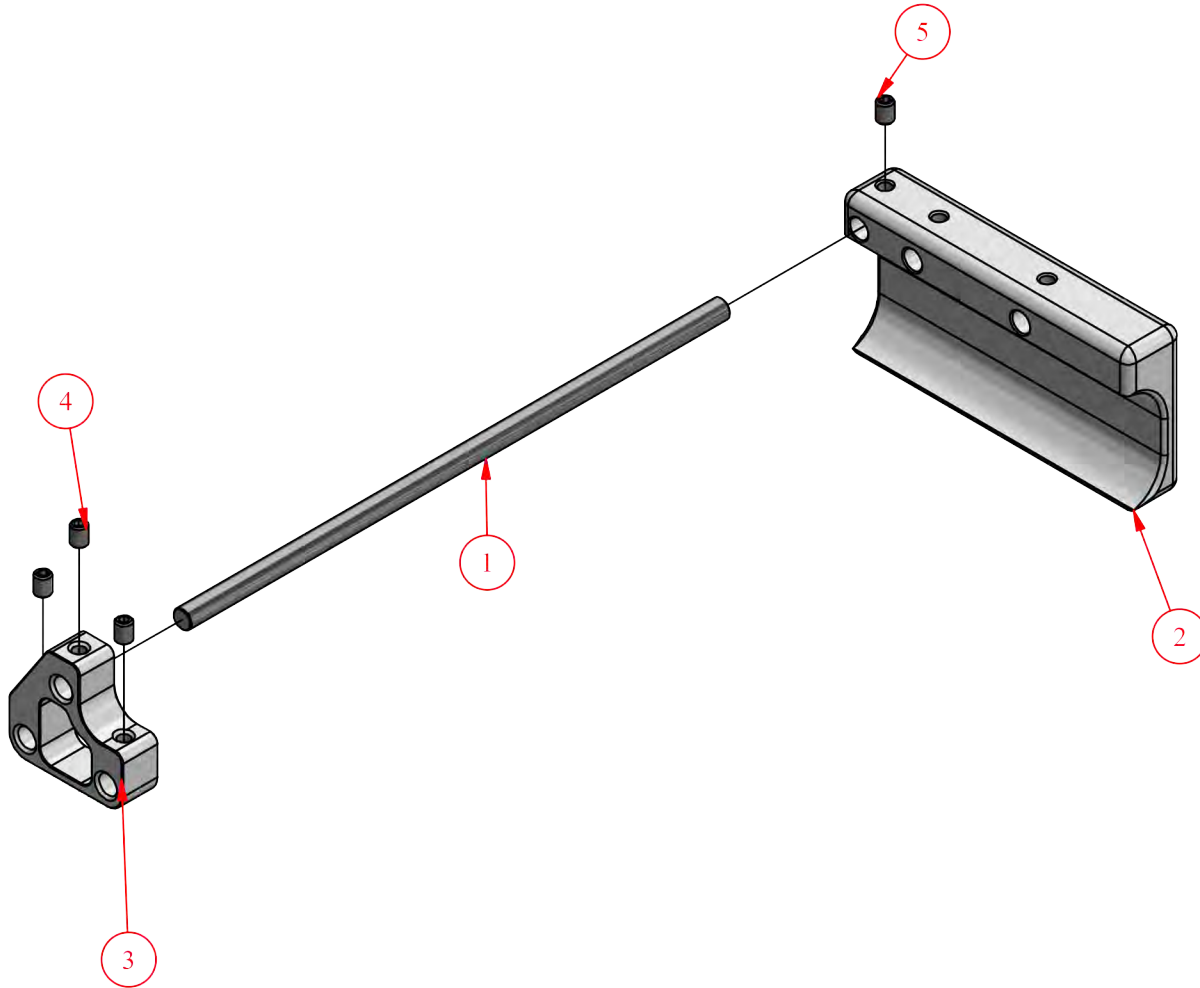


**TRIAD EXTREME**  
**WEDGE ASSEMBLY**  
**PN 300-M07-9-1\_05**



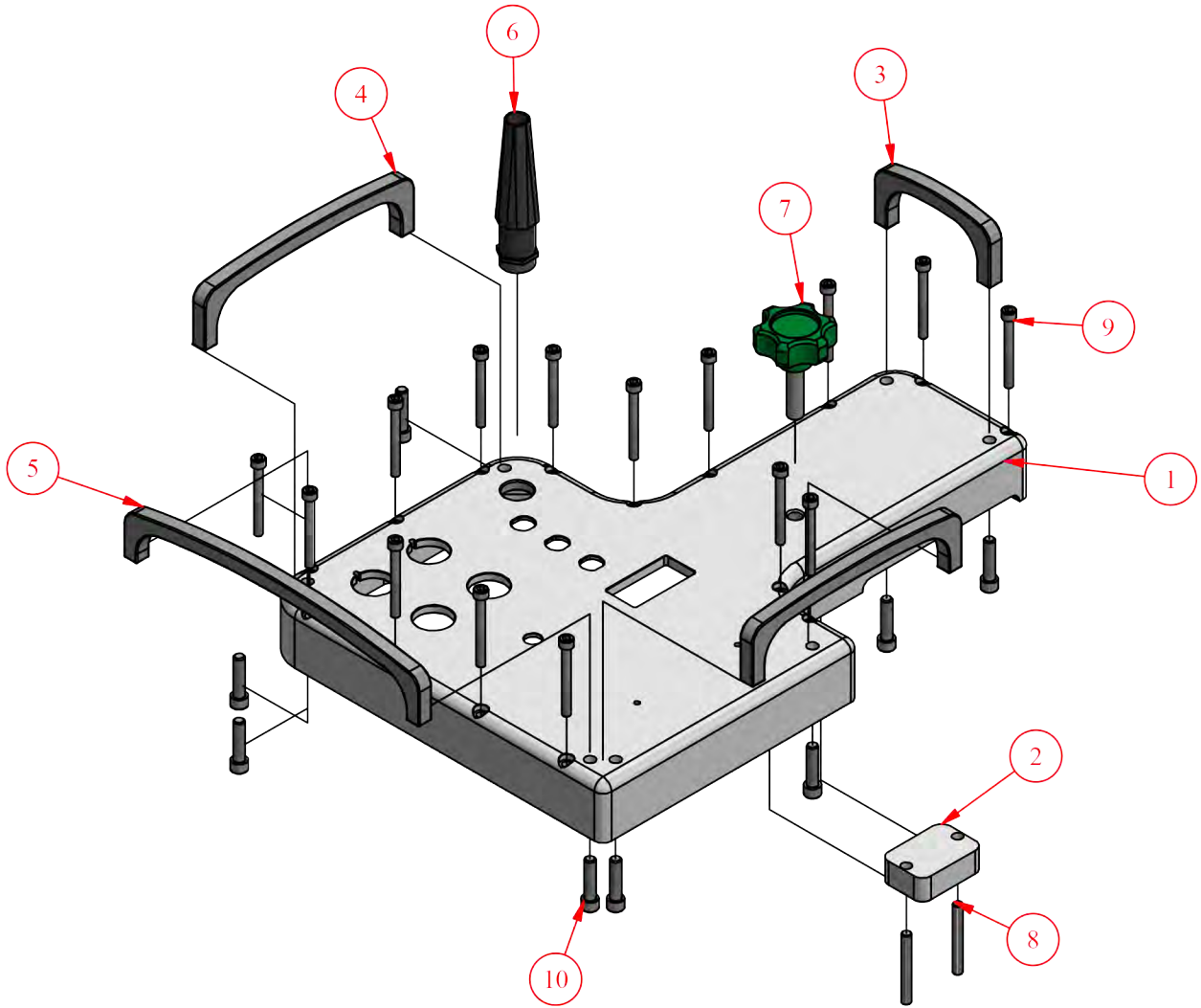
ITEM	ITEM QTY	PART NUMBER	TITLE
1	1	300039A	TRIAD EXTREME CLAMP
2	1	300092	TRIAD EXTREME HEATER SUPPORT PLATE
3	1	300152	HOT WEDGE
4	1	FASTENER	SOCKET HEAD CAP SCREW
5	1	FASTENER	SOCKET HEAD CAP SCREW

**TRIAD EXTREME HEM**  
**WELD OUTER GUIDE ASSEMBLY**  
**PN 300-M07-9-3\_01**



ITEM	ITEM QTY	PART NUMBER	TITLE
1	1	300096	TRIAD EXTREME HEM OUTER GUIDE RETAINER ROD
2	1	300111	TRIAD EXTREME HEM WELD OUTER GUIDE
3	1	300115	TRIAD EXTREME HEM INNER /OUTER GUIDE LINK
4	3	FASTENER	SET SCREW
5	1	FASTENER	SET SCREW

**TRIAD EXTREME TOP COVER**  
**HEM & HANDLE ASSEMBLY**  
**PN 300-M08-8-1**



ITEM	ITEM QTY	PART NUMBER	TITLE
1	1	300005	TRIAD EXTREME CHASSIS CONTROL HOUSING TOP COVER
2	1	300078	TRIAD EXTREME UPPER TENSIONER KNOB STOP
3	1	310147	TRIAD EXTREME TOP COVER HANDLE
4	2	310148	TRIAD EXTREME TOP COVER HANDLE
5	1	310149	TRIAD EXTREME TOP COVER HANDLE
6	1	320022	STRAIN RELIEF
7	1	392078	TRIAD EXTREME PINCH ROLLER TENSION KNOB
8	2	STEEL PIN-TOP COVER	STEEL PIN-TOP COVER
9	15	FASTENER	SOCKET HEAD CAP SCREW
10	8	FASTENER	SOCKET HEAD CAP SCREW